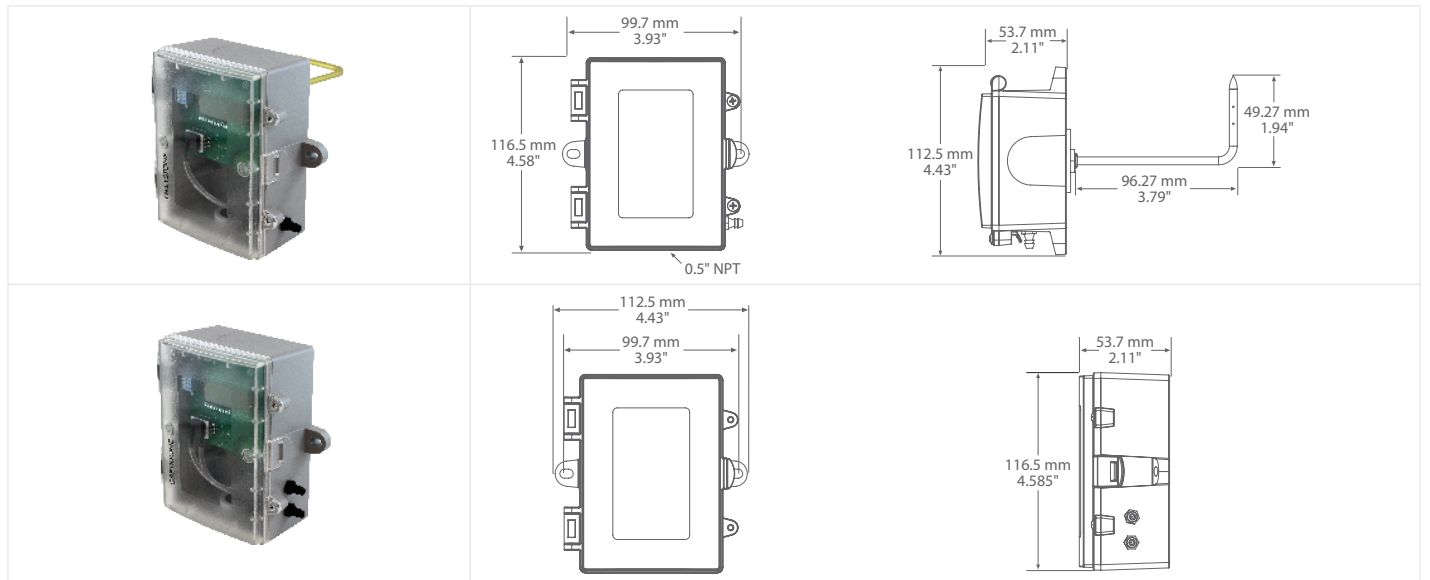




## HIGH ACCURACY LOW PRESSURE TRANSMITTER



### HALP SERIES

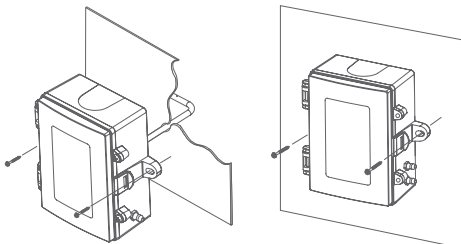
### PRODUCT DESCRIPTION

The HALP series is used to measure positive, negative or differential pressure. The piezoresistive sensor is ideal for monitoring the pressure of air or other clean inert gas. Typical HVAC applications include monitoring of filter differential pressure or VAV applications. An optional static pressure probe provides ease of installation for duct mounting. Several accessories are available. A hinged and gasketed polycarbonate enclosure is provided for ease of installation.

### TYPICAL INSTALLATION

**For complete installation and wiring details, please refer to the product installation instructions.**

The HALP mounts on any surface using the two holes provided on the base of the unit. Make sure there is enough space around the unit to connect the pressure tubing without kinking, and avoid locations where severe vibrations or excessive moisture are present.

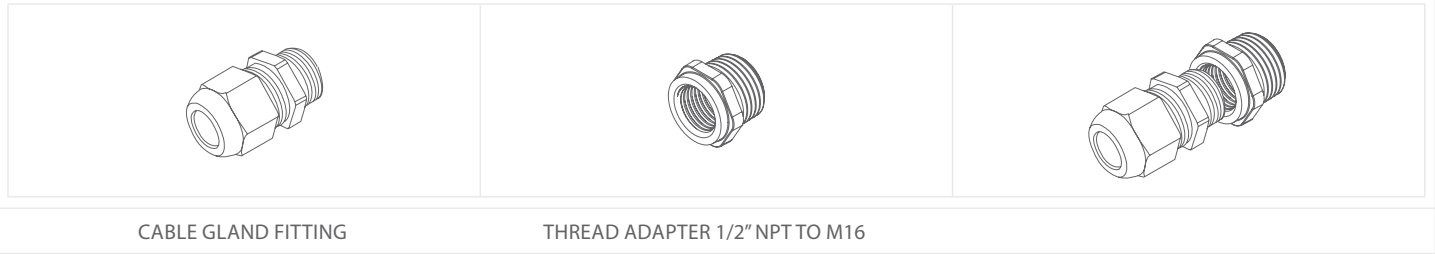


### SPECIFICATIONS

|                                    |  |
|------------------------------------|--|
| ACCURACY                           | ±0.5% F.S.O.   |
| MEASUREMENT TYPE                   | Differential (LP-X: two port, LP-S: single port), Static, Velocity, & Total Pressure   |
| RESPONSE TIME                      | 250 ms   |
| STABILITY                          | <±0.5% F.S.O. per year   |
| THERMAL EFFECTS                    | <±3% over compensated range  |
| COMPENSATED RANGE                  | 0 to 50°C (32 to 122°F)  |
| PROOF PRESSURE                     | 40" W.C. (100" for 10" & 20" Models)   |
| BURST PRESSURE                     | 60" W.C. (200" for 10" & 20" Models)   |
| OPERATING CONDITIONS               | 0 to 50°C (32 to 122°F), 5 to 95 %RH, non-condensing   |
| POWER SUPPLY                       | 20 to 28 Vac/dc (non-isolated half-wave rectified)   |
| SUPPLY CURRENT                     | <b>Current:</b> 20 mA max<br><b>Voltage:</b> <4 mA min   |
| INPUT VOLTAGE EFFECT               | Negligible over operating range  |
| PROTECTION CIRCUITRY               | Reverse voltage protected and output limited   |
| OUTPUT SIGNAL                      | 4-20 mA (2-wire), 0-5 or 0-10 Vdc (3-wire), switch selectable  |
| OUTPUT DRIVE CAPABILITIES @ 24 VDC | <b>Current:</b> 400 Ω max<br><b>Voltage:</b> 10K Ω min   |
| ZERO ADJUSTMENTS                   | Pushbutton auto-zero   |
| WIRING CONNECTIONS                 | Screw terminal block (14 to 22 AWG)  |
| PRESSURE CONNECTION                | Barbed ports for 5 mm (0.170" ID) flexible tubing  |
| CONDUIT CONNECTION                 | 1/2" NPT conduit or cable gland  |
| DISPLAY                            | 3 1/2 digit LCD, 0.4" digit height   |
| ENCLOSURE                          | <b>B:</b> Grey Polycarbonate UL94-V0, IP65 (NEMA 4X)<br><b>F:</b> Same as B, with thread adapter (1/2" NPT to M16) and cable gland fitting |
| APPROVALS                          | CE, ROHS   |
| COUNTRY OF ORIGIN                  | Canada   |



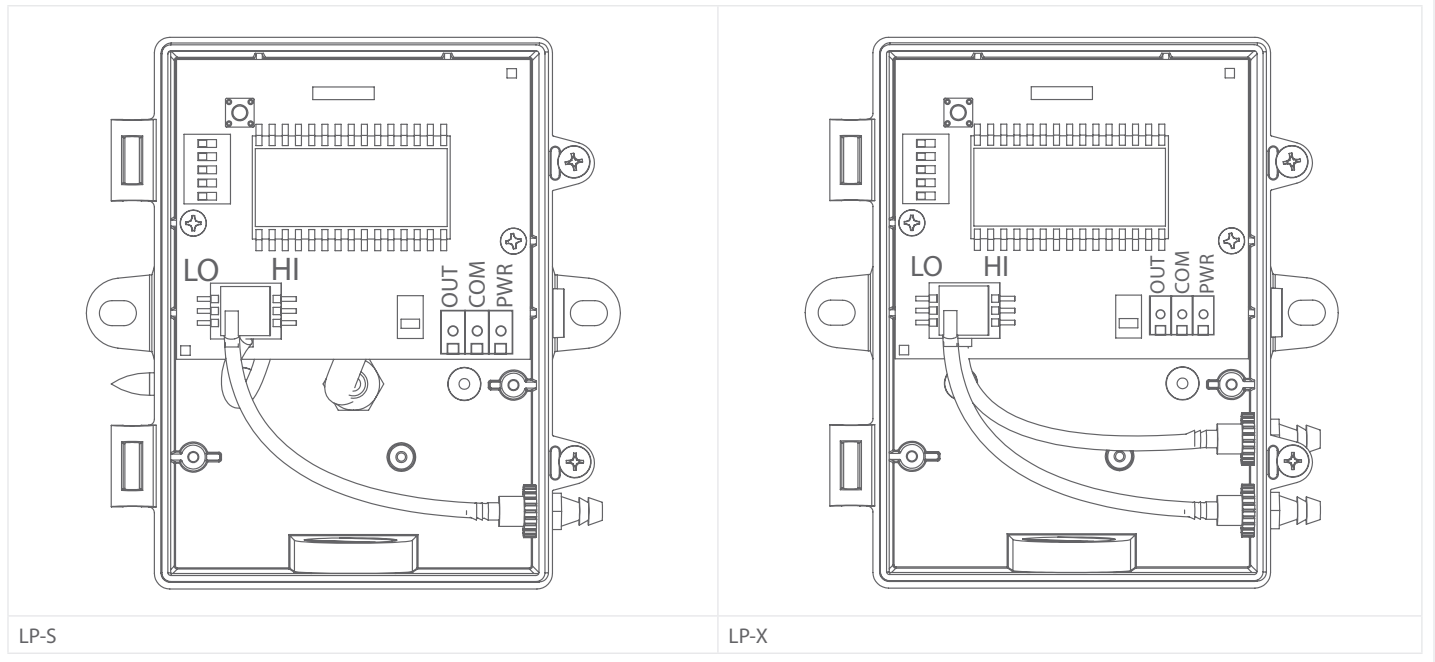
## ACCESSORIES - INCLUDED WITH F ENCLOSURE OPTION



CABLE GLAND FITTING

THREAD ADAPTER 1/2" NPT TO M16

## PCB CONFIGURATIONS



LP-S

LP-X

## ORDERING

| ORDERING         |  |
|------------------|--|
| <b>PRODUCT</b>   | <b>HALP</b> High Accuracy Low Pressure Transmitter   |
| <b>ENCLOSURE</b> | <b>B</b> Polycarbonate with hinged and gasketed cover<br><b>F</b> Same as B, with thread adapter & cable gland fitting   |
| <b>OUTPUT</b>    | <b>00</b> $\pm 4"$ , $\pm 2"$ , $\pm 1"$ , 0-4", 0-2", 0-1" WC<br><b>01</b> $\pm 8"$ , $\pm 5"$ , $\pm 3"$ , 0-8", 0-5", 0-3" WC<br><b>02</b> $\pm 12"$ , $\pm 10"$ , $\pm 6"$ , 0-12", 0-10", 0-6" WC<br><b>03</b> $\pm 20"$ , $\pm 15"$ , $\pm 10"$ , 0-20", 0-15", 0-10" WC<br><b>04</b> $\pm 1000$ Pa, $\pm 500$ Pa, $\pm 250$ Pa, 0-1000 Pa, 0-500 Pa, 0-250 Pa<br><b>05</b> $\pm 2000$ Pa, $\pm 1000$ Pa, $\pm 500$ Pa, 0-2000 Pa, 0-1000 Pa, 0-500 Pa |
| <b>PROBE</b>     | <b>X</b> No Probe<br><b>S</b> Static Probe   |

NOTE: Greystone Energy Systems, Inc. reserves the right to make design modifications without prior notice.

## PART NUMBER

| PART NUMBER |
|-------------|
| HALP        |
|             |
|             |
|             |



Greystone Energy Systems, Inc.  
150 English Drive, Moncton,  
New Brunswick, Canada E1E 4G7

Ph: +1 (506) 853-3057 Fax: +1 (506) 853-6014  
North America: 1-800-561-5611  
E-mail: mail@greystoneenergy.com